

Sol

boss

Sol

Table Collection



Calm, cool and considered, the Sol table collection has a minimalist elegance. The Sol Table Collection is expertly crafted and finished, with sustainability at its core - available with a curated selection of tops made from post-consumer materials.

boss



Refined Minimalism

Simplicity is at the heart of the design ethos behind the Sol Table Collection, which forms a graceful and sophisticated accompaniment. Both the coffee table and side table begin with a tripod base. Each thin, elegant leg is perfectly rounded off with a bullnose foot, expertly finished into the tubular steel frame for a seamless finish.

The 100% recyclable frame is available in our full range of Boss colours, and the tabletops come in a variety of materials, colours and finishes, including, wood veneers, MFC and our recycled plastics options.

boss



The simplicity of Sol's beautifully made frame allows the tabletop to be truly expressive, and for this collection we are offering a diverse selection of surfaces including ones made from post-consumer and post-industrial plastics. Colourful and with a terrazzo-like look, tops can be made from plastic yoghurt pots, bottles, packaging or even ocean litter.

Alternatively, you can have custom tops created to tie in with the nature of your organisation. For example, for a coffeeshop we can manufacture bespoke tops from disposable takeaway lids. The possibilities are endless...



“Tubular steel and sculptural graphic forms add a shared design language and commonality to the portfolio.”



With a tubular steel base, our Sol tables have a considered look inspired in part by mid century designers. They form the perfect complement to our Rosa Lounge Collection, providing an elegant aesthetic link that ties in other seating in our catalogue such the gorgeously crafted Paloma and Amelia chairs, which both come with tubular steel base options.



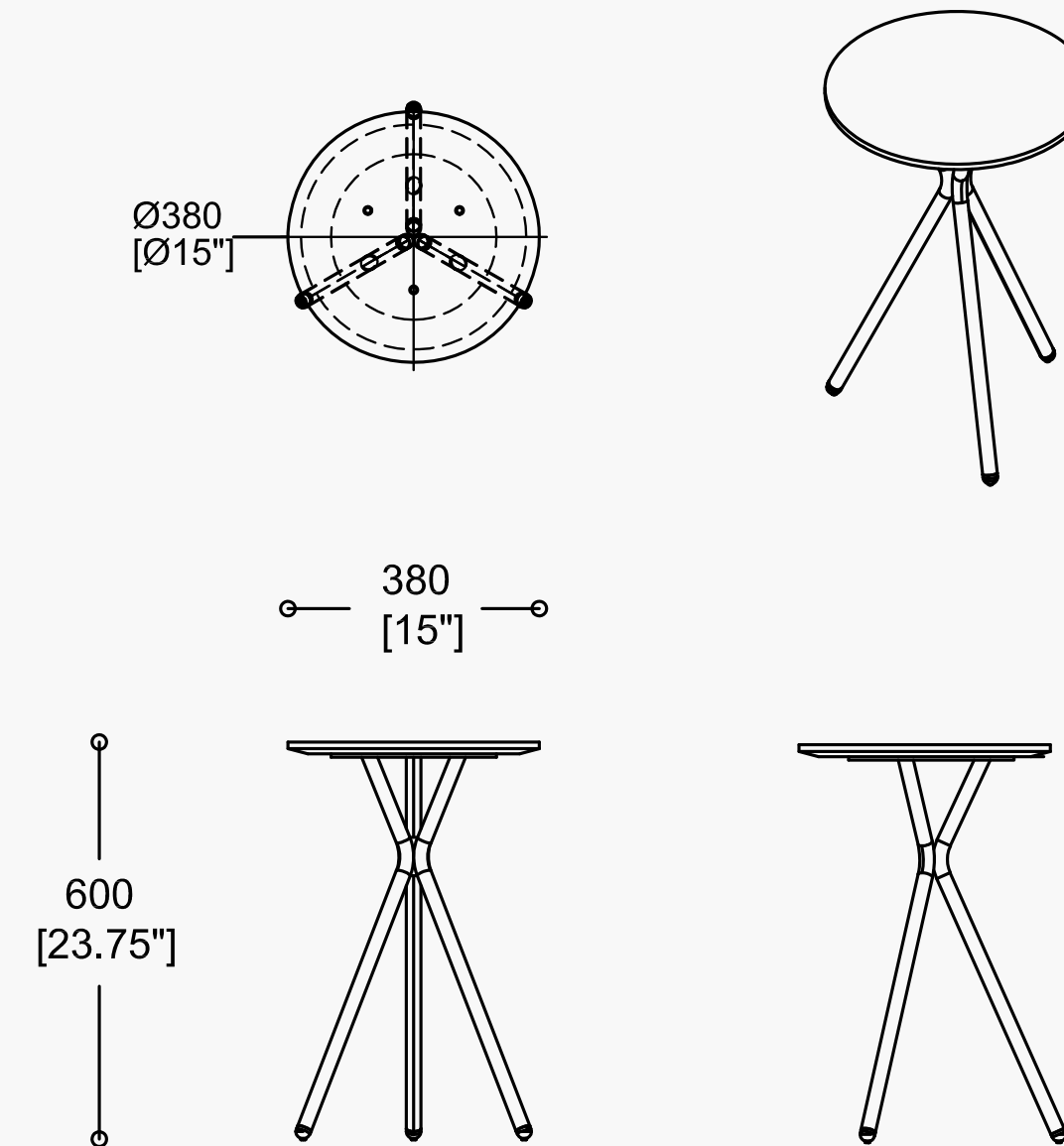
Sol

Specifications

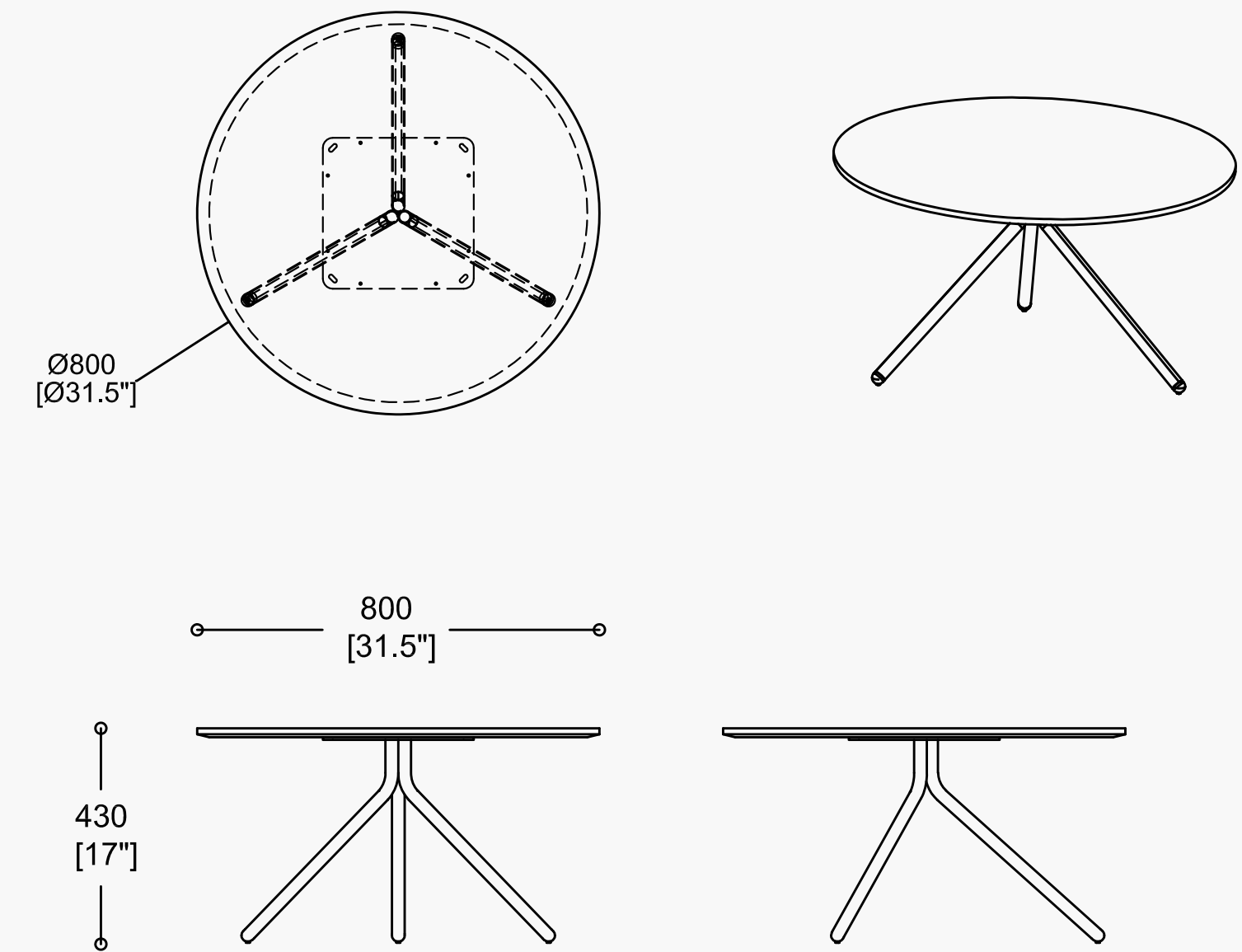
Features

- 24mm tubular steel frame
- Bull-nose leg detail
- Rubber Micro foot
- Metal base frames available in any of the standard 8 Boss RAL colours.
- Five standard finishes: MFC, MF-MDF, High Pressure Laminate, Veneer & Fenix.
- Square or Chamfered edge finish options available (Chamfered Edges only available in MF MDF, Laminate & Veneer only)

SOL/S



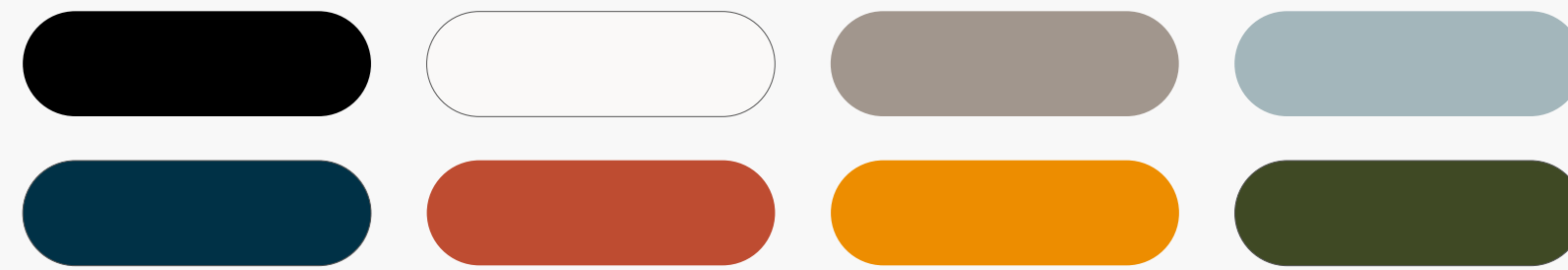
SOL/C



Standard Finishes

The 100% recyclable frame is available in our full range of colours, and the tabletops come in a variety materials, colours and finishes, including MFC, MF MDF, Fenix wood veneer and our new recycled plastic options.

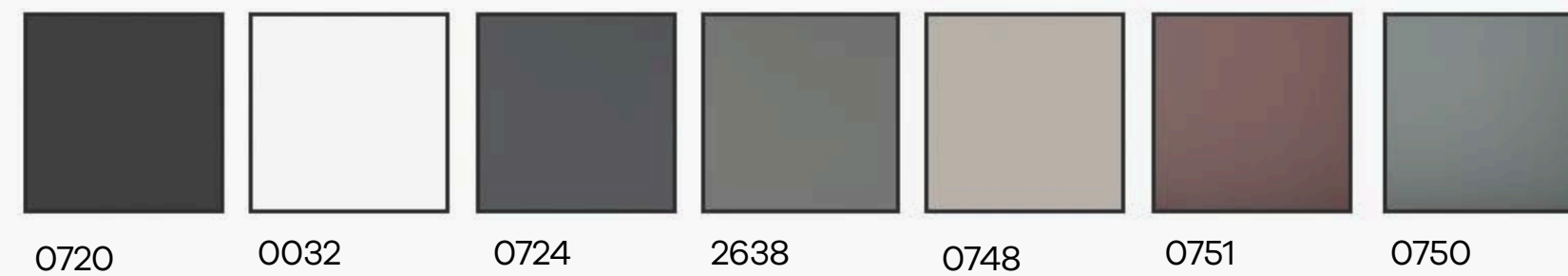
Frames



Veneers



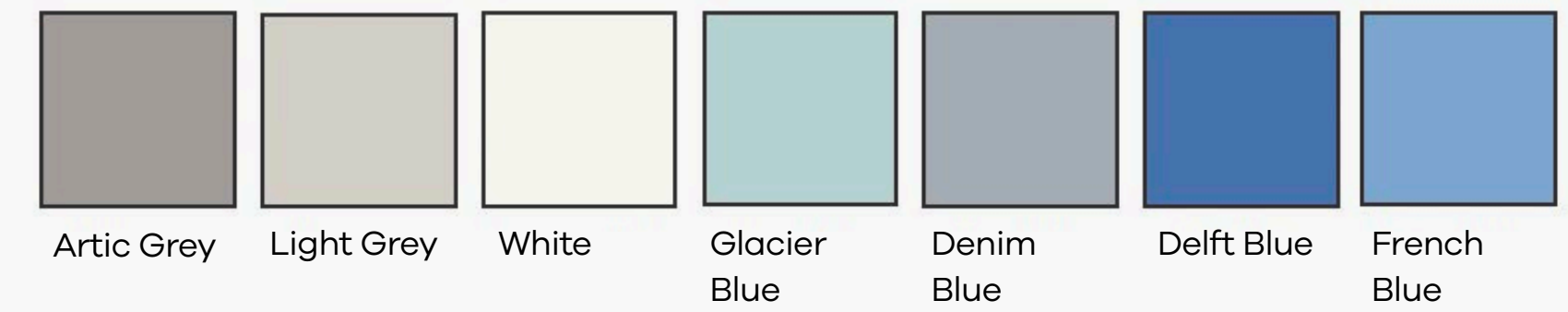
Fenix



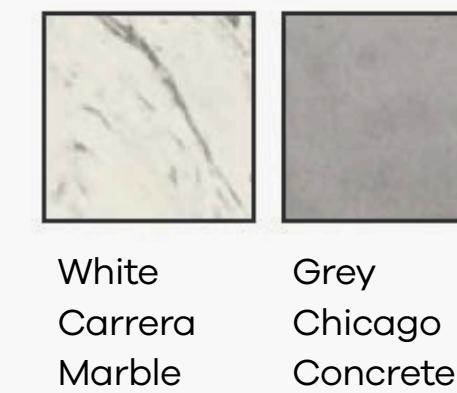
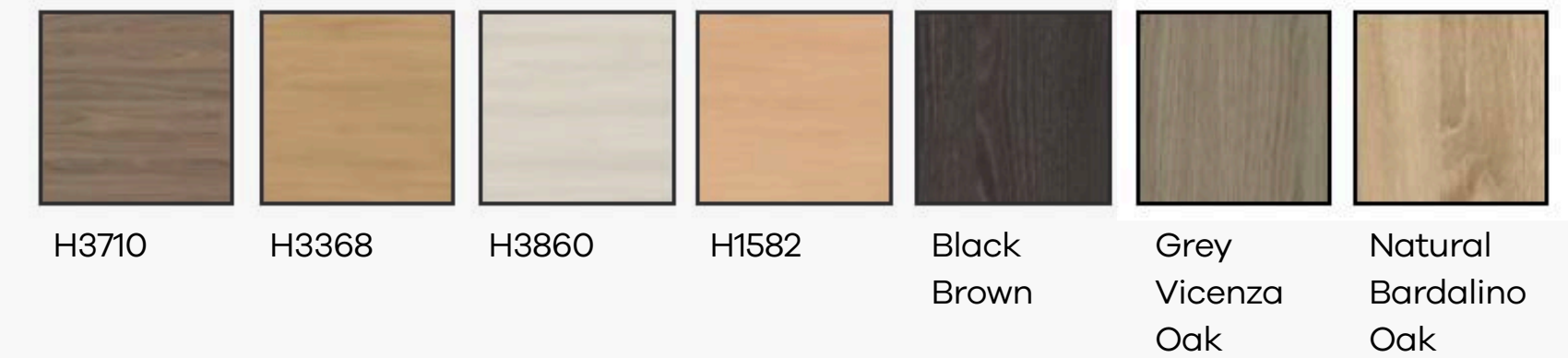
MFC



High Pressure Laminates (HPL)



High Pressure Laminates (HPL) - Grained & Textured



Sustainable Top Options

Options are available from www.thegoodplasticcompany.com. Priced on request

boss

Headquarters

UK

Boss Drive Dudley
West Midlands
DY2 8SZ
T: +44 (0)1384 455 570

USA

North American HQ
2014 Chestnut Street
High Point N.C. 27262
T: +1 844-353-7834

Showrooms

UK - London

7 Clerkenwell Road
London
EC1M 5PA
T: +44 (0)20 7253 0364

Manchester

The Lightwell
25-27 Booth Street
Manchester M2 4AF
T: +44 (0)161 711 0585

Germany - Frankfurt

Baseler Str. 10
60329 Frankfurt am
Main,
Germany
T: +49 69 26958420

USA - Chicago

222 Merchandise Mart
Plaza, Suite 359
Chicago IL 60654
T: +1 844-353-7834

UAE - Dubai

Design House
Al Noor St. Al Sufouh 1
PO Box 117088 Dubai
T: +971 (0)443 788 99