

Mango

boss

Mango

Designed by Boss



Find Your head space

boss



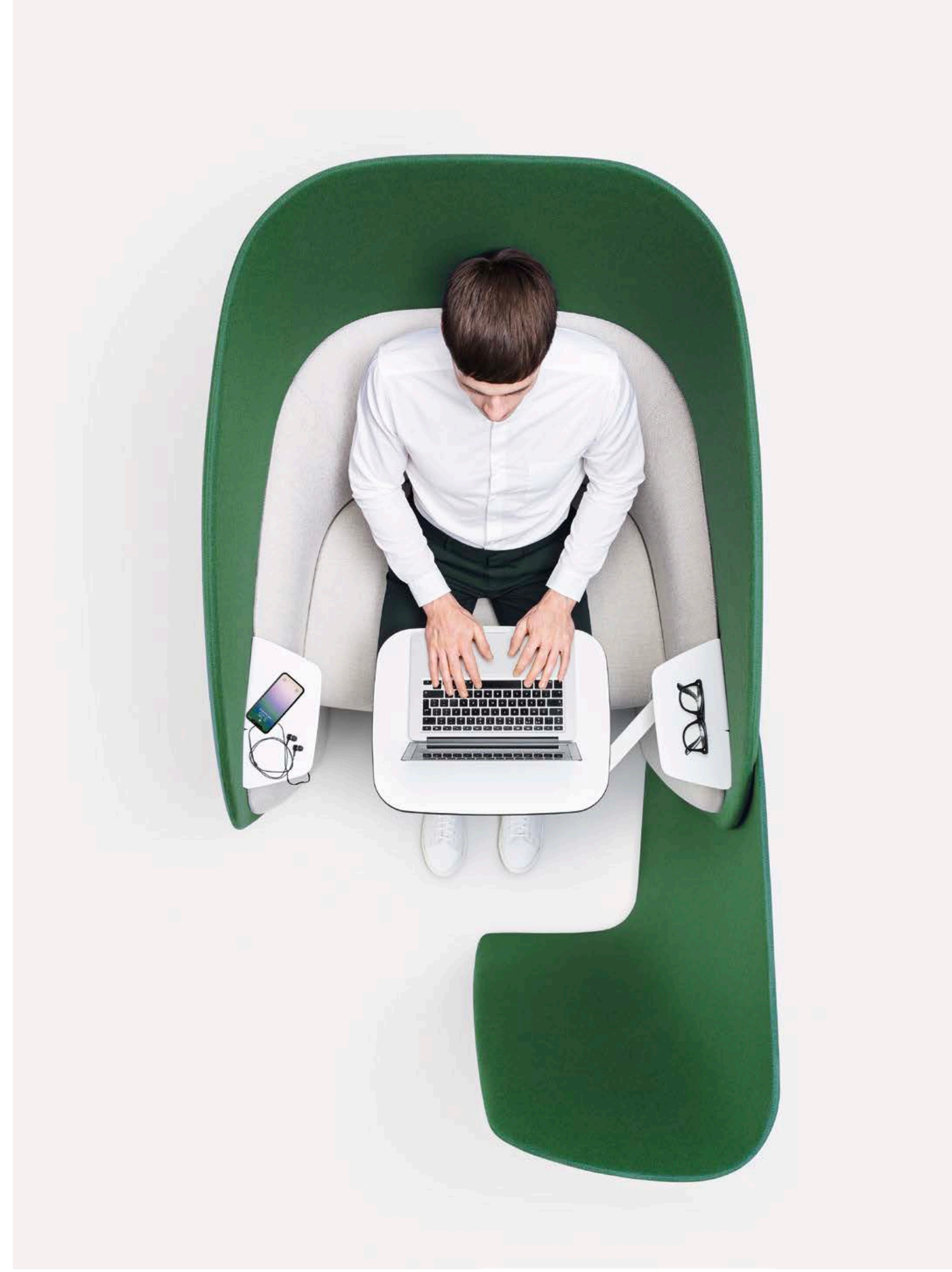
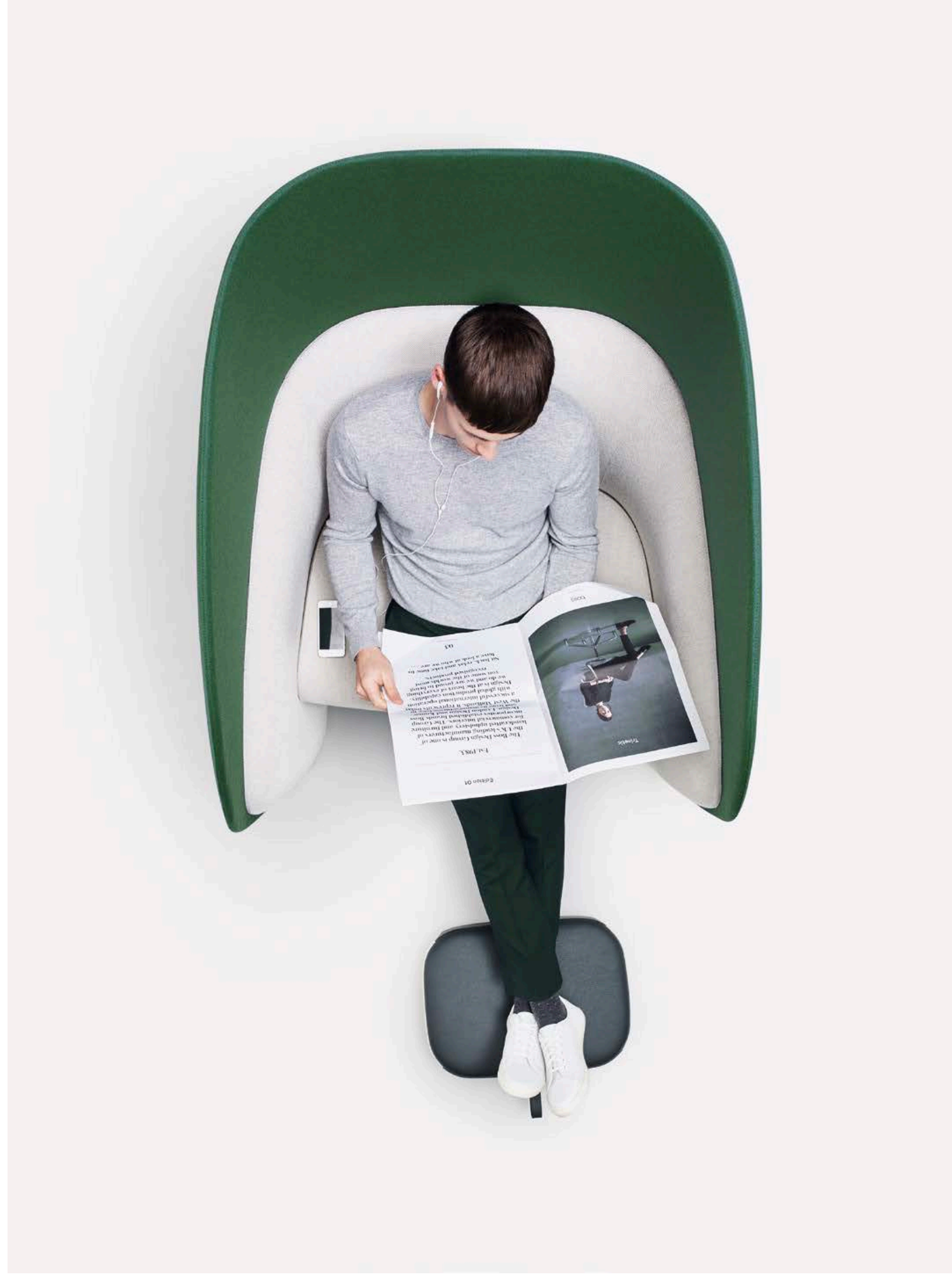


Focus on the individual

A dynamic workplace should be a multifunctional space, designed and equipped to meet its workers' psychological needs.

The adequate provision of private individual work settings is key to creating a culture that's smarter and more efficient. Designated micro environments where privacy leads to improved performance.

Boss Design's Mango work lounge provides users with a private, comfortable and ergonomically-sound environment that will allow them to achieve the outputs from their collaborations.



boss



Focus on performance

A Mango balances an eye catching visual with intelligent functional design. A magnet for mobile workers, its assured profile provides exceptional comfort and privacy on demand. Mango transforms third-spaces into innovative destinations that will improve users' experience at work.



Mango

Details



01— Privacy screen

Provides acoustic and visual privacy to reduce the distractions of a busy environment.

02—Worktable

Right or left or hand adjustable worksurface which allows the user to position it to their desired location.

03—Side Shelf

Available as right or left sided, this shelf provides an extra space for writing, as a mouse surface or just a space to perch a coffee.

04—Power

Integrated power enabling longer periods of connectivity for allowing for increased working time.

05—Footrest

Provides additional support to improve comfort and ergonomics, promoting a more relaxed working posture. Upholstered in an anthracite grey vinyl for maximum durability.

06—Upholstery

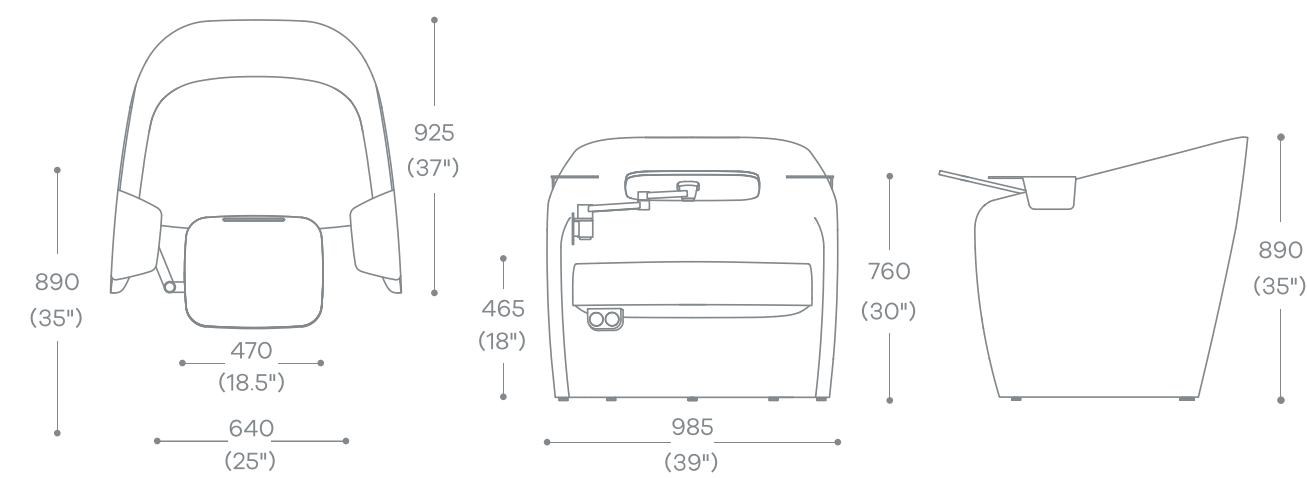
Upholstered by hand, Mango features a beautiful twin stitch detail and offers an exceptional level of comfort. Available in a wide variety of fabrics, except only, not leather or vinyl.

Mango

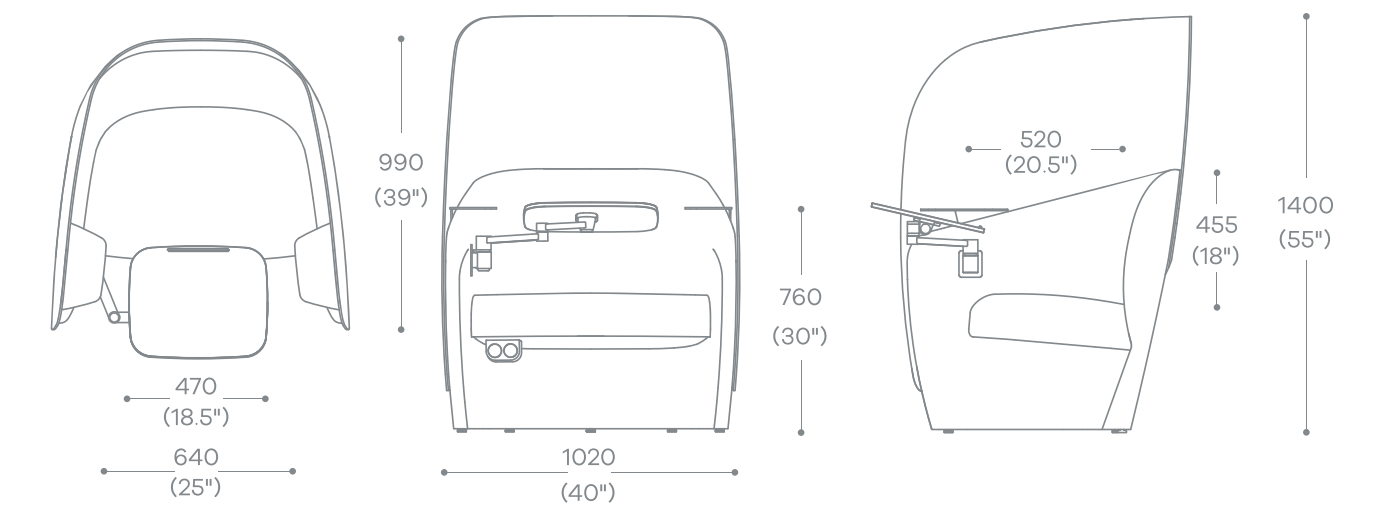
Dimensions



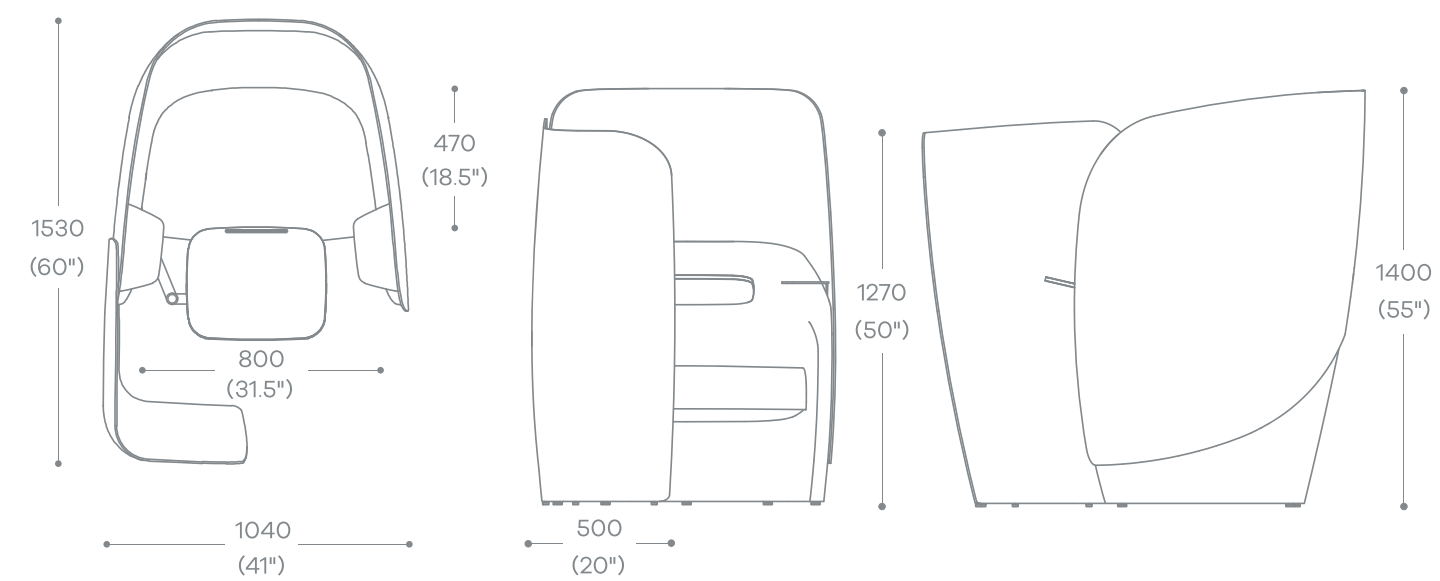
Without screen



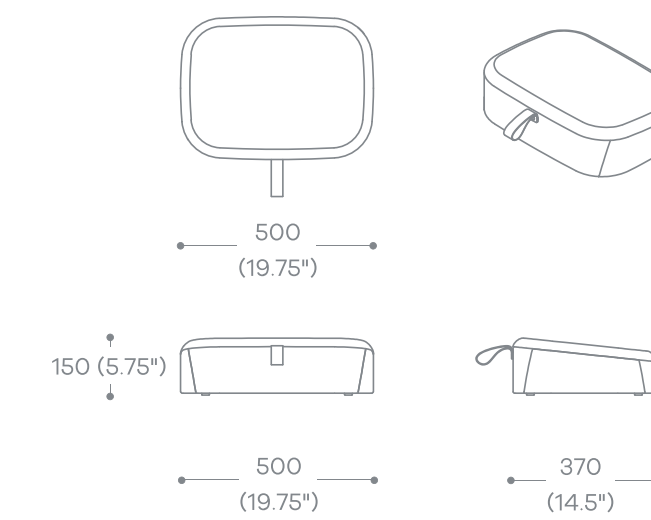
With surround



With surround and privacy screen



Footrest



boss