

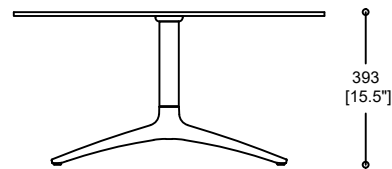
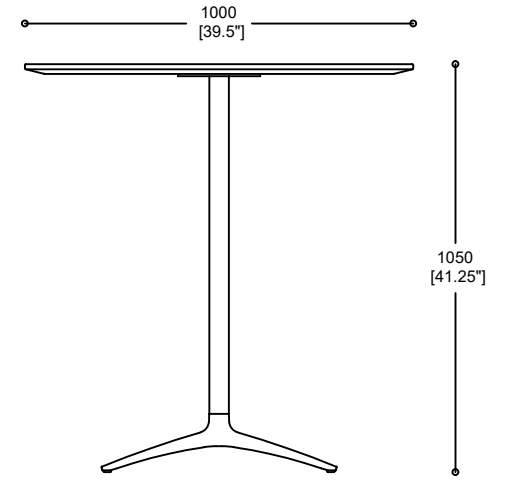
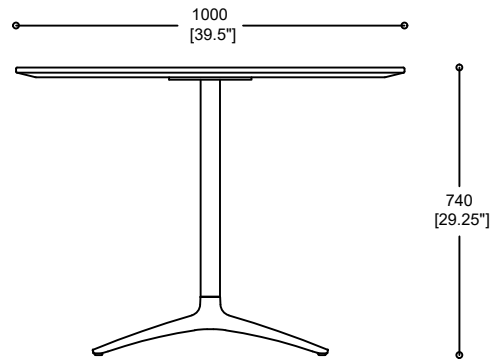
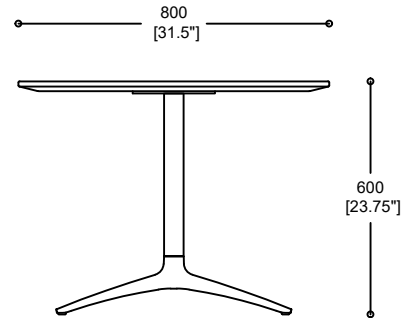
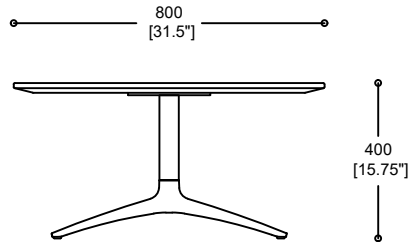
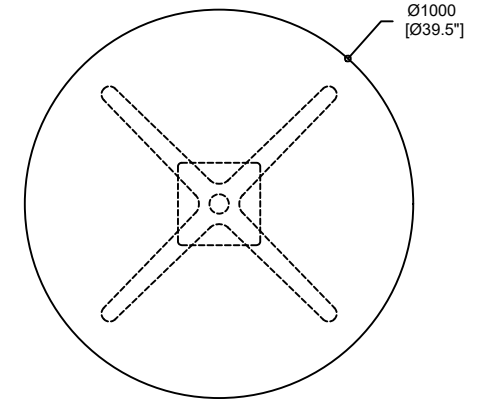
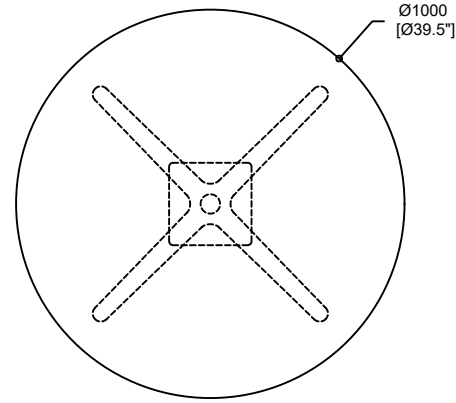
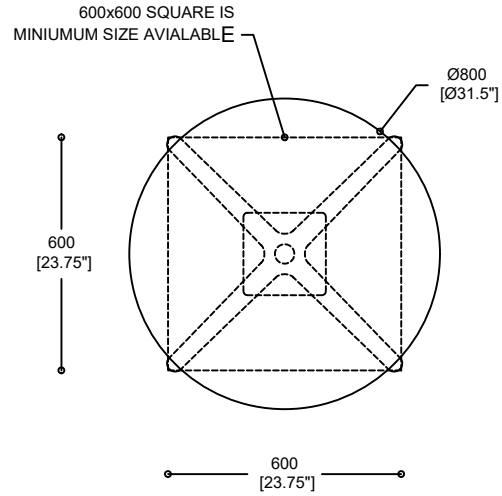
NOTES :

HEIGHTS SHOWN ARE FOR TABLES WITH STANDARD 25mm MFC/MFMD TOPS.

TABLES WITH GLASS TOPS HAVE AN OVERALL HEIGHT OF MINUS 7mm (Eg : 393mm FOR A 400H COFFEE).

GLASS TOPS ARE ONLY AVAILABLE ON COFFEE AND MID HEIGHT TABLES.

CUSTOMER CAN SPECIFY DIFFERENT HEIGHT TABLES AND TOP SIZE/MATERIAL BUT BOSS DOES NOT HOLD ANY RESPONSIBILITY ON SUITABILITY.



COFFEE TABLE
(GLASS TOP)

boss
design

Boss Design Ltd
Boss Drive Tel : +44 (0) 1384 455570
Dudley Fax : +44 (0) 1384 241828
DY2 8SZ www.bossdesigngroup.com

AXIS TABLES

DRAWN BY :	JB/RF
DATE :	19/12/13
CURRENT ISSUE :	C
SCALE :	1:20@A4
TOLERANCE : ±	10mm <small>UNLESS STATED</small>

THIS DRAWING & ANY INFORMATION OR DESCRIPTIVE MATTER SET OUT HEREON ARE CONFIDENTIAL AND THE COPYRIGHT PROPERTY OF BOSS DESIGN LTD AND MUST NOT BE DISCLOSED, LOANED, COPIED OR USED FOR MANUFACTURING, TENDERING OR ANY OTHER PURPOSE WITHOUT WRITTEN PERMISSION. ALL DIMENSIONS IN MILLIMETRES UNLESS STATED.

